

FRYTOP GAS HP E900 XP GAS GRIDDLES HP E900 XP

PNC	Model	Ref	Notes
391061	E9FTGLSS0P	a	GAS FRY TOP HP SMOOTH PLATE 1200 MM
391062	E9FTGLSP0P	b	GAS FRY TOP HP SMOOTH+RIBBED1200 MM
391406	E9IIKAAOMIG	c	GAS FRY TOP HP SMOOTH+RIBBED 1200 - SCRATCH RESISTANT CHROMIUM
391407	E9IIMAAOMIG	d	GAS FRY TOP HP SMOOTH 1200 - SCRATCH RESISTANT CHROMIUM
391592	E9IIKTAOMII	c	GAS FRY TOP HP SMOOTH 1200-NODULAR CHR
391593	E9IIMTAOMII	d	GAS FRY TOP HP SMOOTH+RIBBED PLATE 1200MM - SCRATCH RESISTANT NITROCHROME3 - QMARK
392406	Z9IIKAAOMIG	e	GAS FRY TOP HP SMOOTH+RIBBED 1200 - SCRATCH RESISTANT CHROMIUM
392407	Z9IIMAAOMIG	f	GAS FRY TOP HP SMOOTH 1200 - SCRATCH RESISTANT CHROMIUM
392604	Z9IIKTAOMII	e	GAS FRY TOP HP SMOOTH 1200MM - SCRATCH RESISTANT CHROMIUM - QMARK
392605	Z9IIMTAOMII	f	GAS FRY TOP HP SMOOTH+RIBBED 1200MM - SCRATCH RESISTANT CHROMIUM - QMARK
393406	N9IIKAAOMIG	g	GAS FRY TOP HP SMOOTH+RIBBED 1200 - SCRATCH RESISTANT CHROMIUM
393407	N9IIMAAOMIG	h	GAS FRY TOP HP SMOOTH 1200 - SCRATCH RESISTANT CHROMIUM

Index

General components / Componenti struttura
 Gas components / Componenti gas
 Nozzles / Ugelli
 Spare parts list / Lista ricambi

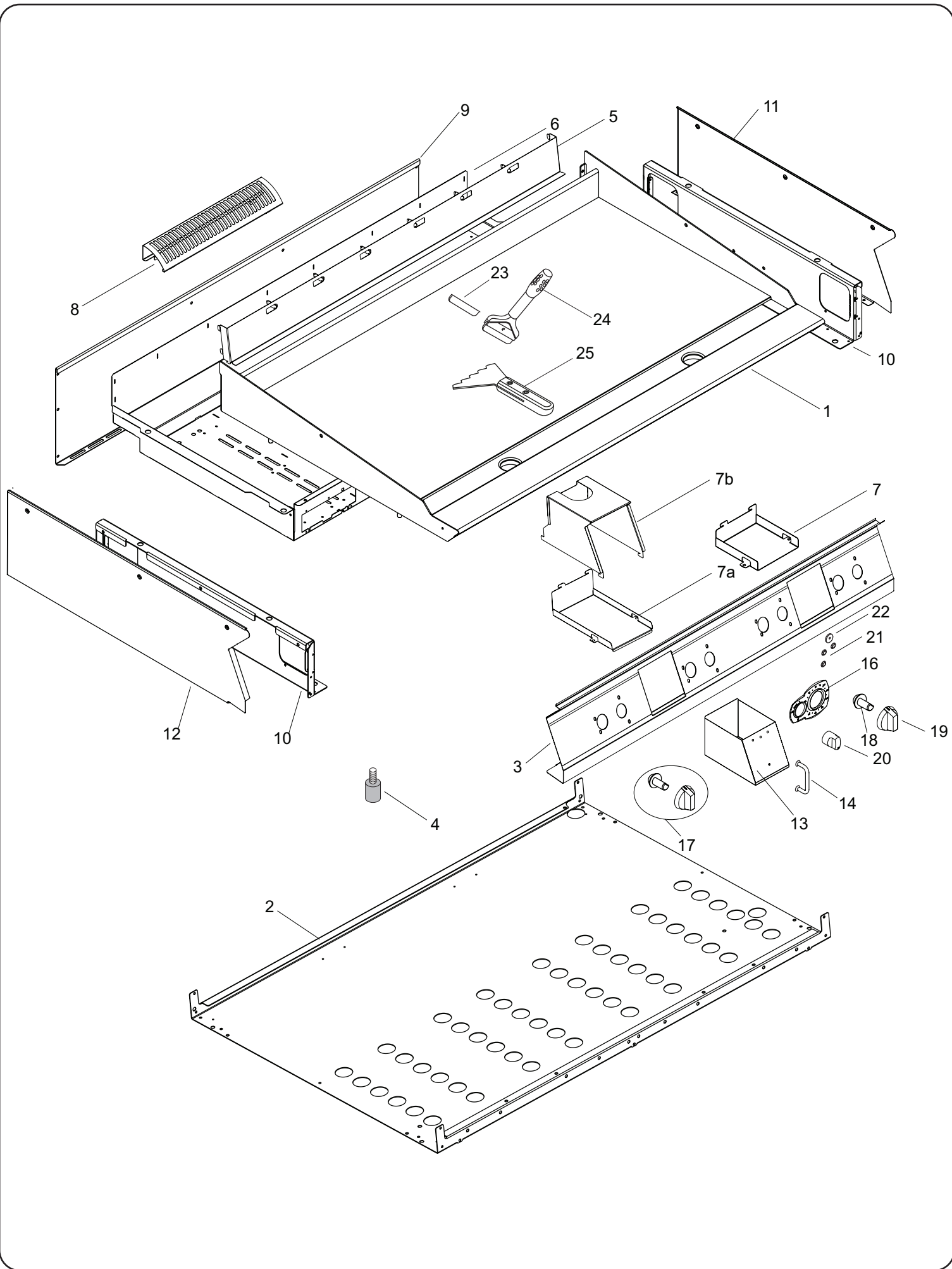
Page

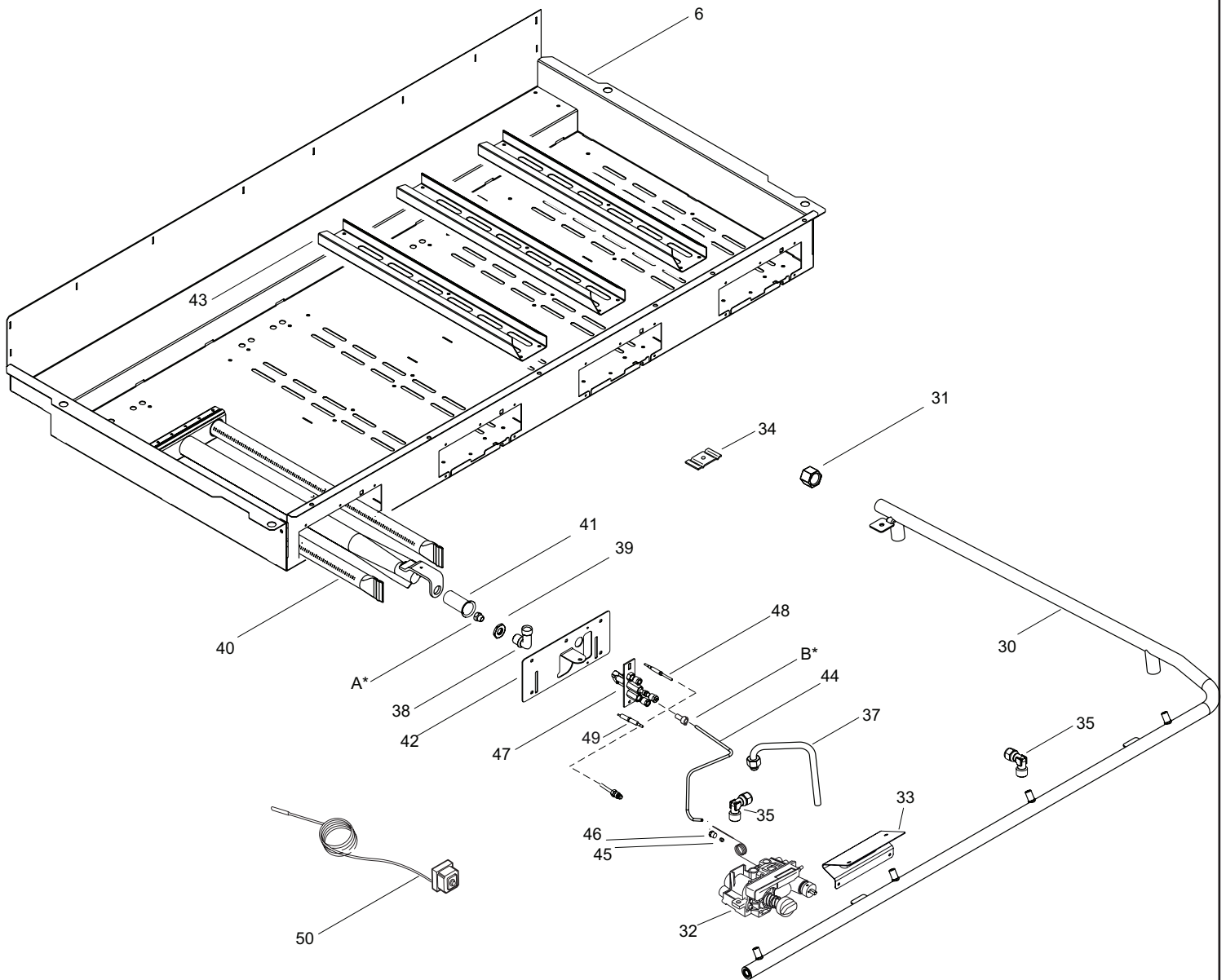
2
 3
 4
 5-6

Bold=last change / Grassetto =ultima modifica

Rev. 3

From Ser. Nr. 116 Up to Ser. Nr.	Ed. 2011-03 Updated 2023-10	Page: 1	Doc No:59785FX00
-------------------------------------	--------------------------------	---------	-------------------------





A - Ugello bruciatore / Burner nozzle				
CODE	6DGT Code	Ref. / Notes		
A05158800	0A2091	Ø1.45	3+3B/P	G30 29mbar
A05583000	0A2533	Ø1.35	3B/P	G30 37mbar
A05158000	0A2101	Ø1.25	3B/P	G30 50mbar
A05661900	059418	Ø2.15	2H/2E+/2E	G20 20mbar
A05620700	058335	Ø2.05	2H	G20 25mbar
A05176200	0A2083	Ø2.20	2L	G25 25mbar
A05661900	059418	Ø2.15	2K	G25.3 25mbar
A05662000	0A5356	Ø2.35	2ELL	G25 20mbar
A05158300	0A2081	Ø2.30	2S	G25.1 25mbar
A05158500	0A2570	Ø2.60	AU	Natural 10mbar

B - Ugello Pilota / Burner nozzle				
CODE	6DGT Code	Ref. / Notes		
511831200	0C6621	N°21	3+3B/P	G30 29mbar
511831200	0C6621	N°21	3B/P	G30 37mbar
511831200	0C6621	N°21	3B/P	G30 50mbar
514831500	054037	N°25	2H/2E+/2E	G20 20mbar
514831500	054037	N°25	2H	G20 25mbar
514831500	054037	N°25	2L	G25 25mbar
514831500	054037	N°25	2K	G25.3 25mbar
514831500	054037	N°25	2ELL	G25 20mbar
514831500	054037	N°25	2S	G25.1 25mbar
514831500	054037	N°25	AU	Natural 10mbar

FRYTOP GAS HP E900 XP
GAS GRIDDLES HP E900 XP

Pos	Factory Code	Spare Code	Descrizione	Description	Ref./Notes
1	878898804	0C7324	PIASTRA-RIPIANO LISCIO	SMOOTH PLATE	a
1	878898900	0C7131	PIASTRA-RIPIANO RIGATO	SMOOTH GROOVED	b
1	87589J700	*	PIASTRA-RIPIANO LISCIO	SMOOTH PLATE	c
1	87589J900	*	PIASTRA-RIPIANO LISCIO	SMOOTH PLATE	e, g
1	87589JB00	*	PIASTRA-RIPIANO LISCIO - 1/3 RIGATO	SMOOTH - 1/3 GROVED PLATE	d
1	87589JD00	*	PIASTRA-RIPIANO LISCIO - 1/3 RIGATO	SMOOTH - 1/3 GROVED PLATE	f, h
2	50389K102	*	FONDO	BOTTOM PANEL	
3	85589BC02	0C7149	CRUSCOTTO	CONTROL PANEL	a, b, c, d
3	85589Q000	*	CRUSCOTTO	CONTROL PANEL	e, f, g, h
4	518818100	0C5917	PIEDINO	ADJUSTABLE FOOT	
5	50489FB00	*	ANTERIORE CAMINO	FRONT SIDE CHIMNEY	
6	50489FA01	*	CAMERA DI COMBUSTIONE	COMBUSTION CHAMBER	
7	50389JZ01	*	GUIDA CASSETTO	DRAWER RUNNER	a, b
7a	50489Y100	*	GUIDA CASSETTO	DRAWER RUNNER	c, d, e, f, g, h
7b	50489Y000	*	COPERTURA GUIDA CASSETTO	DRAWER RUNNER COVER	c, d, e, f, g, h
8	509805D01	0C7331	GRIGLIA CAMINO	CHIMNEY GRID	
9	50389JX01	*	SCHIENALE	BACK PANEL	
10	50389K001	0C7971	STRUTTURA LATERALE	INNER SIDE PANEL	
11	50389JV02	0C7381	FIANCO DESTRO	RIGHT SIDE PANEL	
12	50389JW02	0C7970	FIANCO SINISTRO	LEFT SIDE PANEL	
13	855899W01	0C7209	CASSETTO + MANIGLIA	DRAWER + HANDLE	
14	50389CM01	0C6653	MANIGLIA CASSETTO	HANDLE	
16	548876Q01	0C7329	GHIERA VALVOLA GAS	KNOB RING FOR GAS VALVE (°F)	a, b, c, d
16	548879900	0C7429	GHIERA VALVOLA GAS	KNOB RING FOR GAS VALVE (°F)	e, f, g, h
17	54887AV00	0C8645	MANOPOLA + ADATTATORE VALVOLA GAS	KNOB + ADAPTOR FOR VALVE THERMOSTAT	a, b, c, d
18	54887AP00	0C8714	ADATTATORE MANOPOLA	KNOB ADAPTOR	a, b, c, d
19	511851100	0C8715	MANOPOLA	KNOB	a, b, c, d
19	548877Z01	0C7179	MANOPOLA	KNOB	e, f
19	548872700	0C5252	MANOPOLA	KNOB	g, h
20	548863303	0C2021	MANOPOLA ACCENDITORE VALVOLA	KNOB FOR VALVE IGNITER	a, b, c, d
20	548878303	0C7181	MANOPOLA ACCENDITORE VALVOLA	KNOB FOR VALVE IGNITER	e, f
20	548856603	0C0190	MANOPOLA ACCENDITORE VALVOLA	KNOB FOR VALVE IGNITER	g, h
21	218912211	069567	MOLLETTA FISSAGGIO GHIERA	RING CONNECTION	
22	541813800	0C6171	RONDELLA IN SILICONE	SILICONE WASHER	
23	0C7017	506887401	LAMA PER RASCHIETTO	BLADE FOR SCRAPER	2 PZ / PCS
24	055995	805848204	RASCHIETTO PER PIASTRA LISCIA	SCRAPER FOR SMOOTH PLATE	
25	056940	830851300	RASCHIETTO PER PIASTRA RIGATA	SCRAPER FOR RIBBED PLATE	
30	80589AJ01	0C7325	RIBALTA	MANIFOLD	
31	210360300	051717	TAPPO PET RIBALTA DA 1/2	STOPPER FOR MANIFOLD	
32	835875T02	0C7326	VALVOLA GAS	GAS VALVE	a, b
32	835879Z00	0CB706	VALVOLA GAS	GAS VALVE	c, d, e, f, g, h
33	50189A900	*	SUPPORTO VALVOLA	VALVE SUPPORT	
34	206250401	051383	PIASTRINA FISS. CAPILLARE		
35	A05173300	0A2136	RACCORDO D'ESTREMITA 90GR	UNION ELBOW ASSY	
37	80589AK01	0C7327	TUBO VALVOLA - BRUCIATORE	GAS PIPE, VALVE-BURNER	
38	511805801	059375	PORTAUGELLO	INJECTOR HOLDER	
39	214105101	020997	CONTRODADO PORTAUGELLO	LOCK NUT	
40	856819700	0C6626	BRUCIATORE	BURNER	

FRYTOP GAS HP E900 XP
GAS GRIDDLES HP E900 XP

Pos	Factory Code	Spare Code	Descrizione	Description	Ref./Notes
41	215088100	052062	BOCCOLA REGOL.ARIA	BUSH	
42	528879501	0C6739	CHIUSURA BRUCIATORE	LOCK FOR BURNER	
43	533876400	0C6738	CONVOGLIATORE ARIA	CONVEYOR	
44	51589A100	0C7328	CONDUTTURA PILOTA	GAS PILOT PIPE	
45	215199700	052127	BICONO SPEC.DA 4	DOUBLE CONE	
46	214164400	052125	RACCORDO M10X1 FORO DA 4	PIPE FITTING	
47	831847601	0C6627	PILOTA	PILOT BURNER	
48	830852201	025031	TERMOCOPPIA	THERMOCOUPLE; M9X1, L=60 CM	a, b
48	83089L700	0CA280	TERMOCOPPIA INTERR. ORKLY	ORKLY THERMOCOUPLE	c, d, e, f, g, h
49	830863300	059380	ELETTRODO DI ACCENSIONE	SPARK PLUG	
50	646808102	004269	LIMITATORE 55.32562.806 360 °C SIC.POSITIVA	SAFETY THERMOSTAT 55.32562.806	c, d, e, f, g, h